

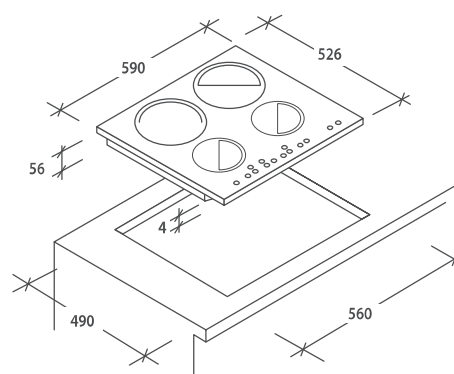
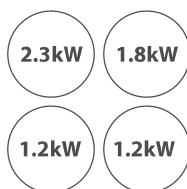
CANDY

CH64XB

VITROCERAMIC



VITROCERAMIC
HOB



CERAMIC HOB

- Electronic touch controls,
- FL zone: 155mm (1.2 Kw)
- RL zone: 220mm (2.3 Kw)
- RR zone: 190mm (1.8 Kw)
- FR zone: 155mm (1.2 Kw)
- Child lock
- 10 Power levels
- Power on indicator
- Input Power 6.5 kW
- Black glass with Inox front frame

33801795 CH64XB

Brand	Candy
Product Code	33801795
Description	CH64XB
EAN	8016361954892
Electrical connection rating (W)	6500
Type of control setting devices	BASE 1
Number of power levels	10
Location of control panel	FRONTAL
Basic surface material	Vitroc ceramic
Color of surface	Black
Type of frame	Front Frame
Glass Finishing	Cut Glass
Color of frame	Stainless Steel
Dimensions of the product (mm)	590 x 526x 60
Dimensions of the niche (mm)	560 x 490x56
Number of radiants	4
Location of 1st heating element	FRONT LEFT
Dimension of 1st heating element (mm) - Max with Booster	155mm - 1200W
Location of 2nd heating element - Max with Booster	REAR LEFT
Dimension of 2nd heating element (mm)	220mm - 2300W
Location of 3rd heating element - Max with Booster	REAR RIGHT
Dimension of 3rd heating element (mm)	190 - 1800W
Location of 4th heating element	FRONT RIGHT
Dimension of 4th heating element (mm) - Max with Booster	155 - 1200W
Special Function	-
Special Zone	-
Color serigraphy	-
Child Lock	yes (combi)+ e -
Electronic timer	-
Electric Connection	220-240V, 380-415V 2N, 50/60Hz, 6500W
UM languages	English